

Duna 02

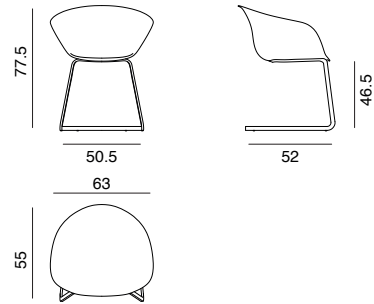
Design by Lievore Altherr Molina, 2014

Art. 4214

Chair with chromed steel cantilever base and polypropylene shell available in six colors, with front upholstery in leather, faux leather, fabric or customer's own material.



Dimensions *



* File CAD 2D - 3D available for download at www.arper.com

Frame Base



CRO

Shell

Polypropylene



PP0001 PP0001 PP0001 PP0001 PP0001 PP0001

Carded In



Graded In

kvadrat

camira



DESIGN
TEX



Gabriel



svensson

maharam


Serge Ferrari

Duna 02

Design by Lievore Altherr Molina, 2014

SHIPMENT DETAILS

Art.4214

4 pz = 2  - kg 40,44/ m³ 0,47

TECHNICAL SPECIFICATIONS

Art.4214

COL requirement m² 1.44

H 140 cm. COM Meterage ml 1.05

RESISTANCE TEST

FIRE RETARDANT TEST

Classe 1M Cava 3 Field

ENVIRONMENTAL CERTIFICATIONS



arper

F +39 0422 791800

T +39 0422 7918

www.arper.com

Duna 02

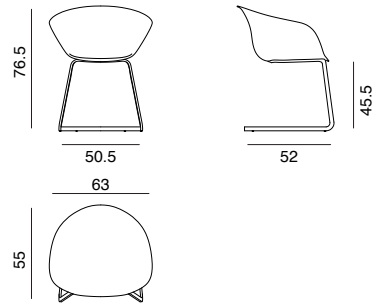
Design by Lievore Altherr Molina, 2014

Art. 4224

Chair with chromed steel cantilever base and polypropylene shell available in six colors, with cushion in leather, faux leather, fabric or customer's own material applied on the seat surface.



Dimensions *



* File CAD 2D - 3D available for download at www.arper.com

Frame Base



CRO

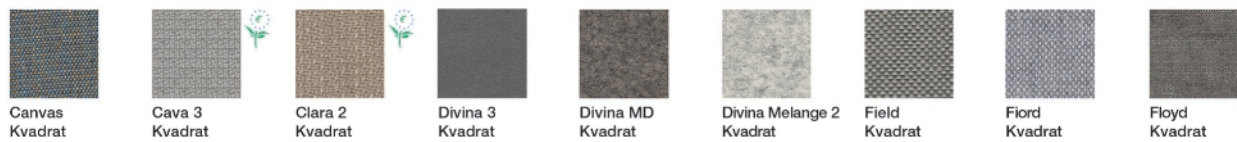
Shell

Polypropylene



PP0001 PP0001 PP0001 PP0001 PP0001 PP0001

Carded In



Canvas Kvadrat Cava 3 Kvadrat Clara 2 Kvadrat Divina 3 Kvadrat Divina MD Kvadrat Divina Melange 2 Kvadrat Field Kvadrat Fiord Kvadrat Floyd Kvadrat



Hallingdal 65 Kvadrat Pause 4 Kvadrat Pro 3 Kvadrat Remix 2 Kvadrat Revive 1 Kvadrat Rime Kvadrat Savanna Kvadrat Scuba Kvadrat Steelcut 2 Kvadrat



Steelcut Trio 3 Kvadrat Tempo Kvadrat Tonus 4 Kvadrat Umami Kvadrat Jet Fidivi Style Fidivi Valencia Faux leather Spradling Soft leather Elmosoft® Leather

Graded In

kvadrat

camira



DESIGN
TEX



Gabriel



svensson

maharam


Serge Ferrari


Duna 02

Design by Lievore Altherr Molina, 2014

SHIPMENT DETAILS

Art.4224

1 pz = 2  - kg 12,04/ m³ 0,36

4 pz = 2  - kg 40,44/ m³ 0,47

TECHNICAL SPECIFICATIONS

Art.4224

COL requirement m² 0.56

H 140 cm. COM Meterage ml 0.55

RESISTANCE TEST

FIRE RETARDANT TEST

Classe 1M Cava 3 Field

ENVIRONMENTAL CERTIFICATIONS



arper

F +39 0422 791800

T +39 0422 7918

www.arper.com

Duna 02

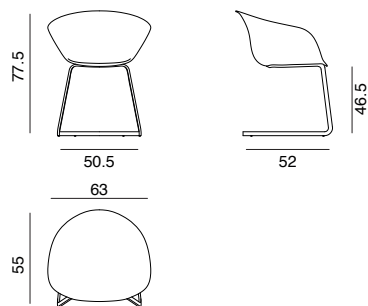
Design by Lievore Altherr Molina, 2014

Art. 4234

Chair with chromed steel cantilever base. Shell fully upholstered in leather, faux leather, fabric or customer's own material.



Dimensions *



* File CAD 2D - 3D available for download at www.arper.com

Frame Base



CRO

Shell

arper

F +39 0422 791800

T +39 0422 7918


www.arper.com


Duna 02

Design by Lievore Altherr Molina, 2014

SHIPMENT DETAILS

Art.4234

1 pz = 2  - kg 12,04/ m³ 0,36

4 pz = 2  - kg 40,44/ m³ 0,47

TECHNICAL SPECIFICATIONS

Art.4234

COL requirement m² 2.66

H 140 cm. COM Meterage ml 1.72

RESISTANCE TEST

FIRE RETARDANT TEST

ENVIRONMENTAL CERTIFICATIONS



arper

F +39 0422 791800

T +39 0422 7918

www.arper.com