

Juno

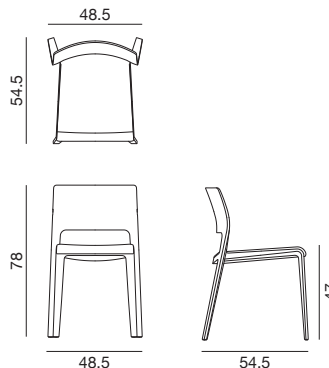
Design by James Irvine, 2012

Art. 3604

Chair with polypropylene 4 leg base, open backrest and seat pad. The chair is available in 7 different colors and the seat pad is available in fabric, faux leather, leather or customer's material.



Dimensions *



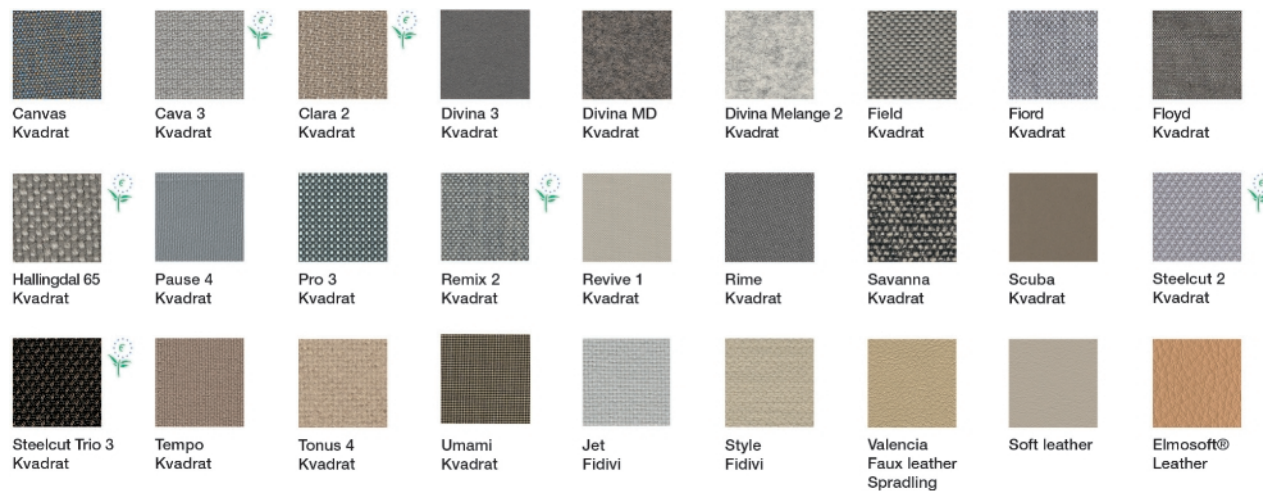
* File CAD 2D - 3D available for download at www.arper.com

Shell

Polypropylene



Carded In



Graded In

kvadrat

camira



DESIGN
TEX



Gabriel



svensson

maharam

Serge Ferrari

arper

F +39 0422 791800

T +39 0422 7918



www.arper.com

Juno

Design by James Irvine, 2012

SHIPMENT DETAILS

Art.3604

- 1 pz = 1  - kg 5/ m³ 0,26
- 2 pz = 1  - kg 10/ m³ 0,27
- 4 pz = 1  - kg 18/ m³ 0,34
- 6 pz = 1  - kg 25/ m³ 0,4

RESISTANCE TEST

- EN 1728:2012 - EN 16139:2013 6.15
- EN 1728:2012 - EN 16139:2013 6.17
- EN 1728:2012 - EN 16139:2013 6.24
- EN 1728:2012 - EN 16139:2013 6.4
- ANSI/BIFMA X5.1-2011/11
- ANSI/BIFMA X5.1-2011/16
- ANSI/BIFMA X5.1-2011/8
- TÜV GS (EN16139)
- EN 1728:2012 - EN 16139:2013 6.16
- EN 1728:2012 - EN 16139:2013 6.18
- EN 1728:2012 - EN 16139:2013 6.25
- EN 1728:2012 - EN 16139:2013 6.5
- ANSI/BIFMA X5.1-2011/12
- ANSI/BIFMA X5.1-2011/6
- EN 1022:05

ENVIRONMENTAL CERTIFICATIONS



TECHNICAL SPECIFICATIONS

Art.3604

COL requirement m² 0.48
H 140 cm. COM Meterage ml 0.64
Minimum order: 2 items with the same finish.
Stacking protections included.

FIRE RETARDANT TEST

California TB117-2013 Cava 3 Clara Canvas Divina MD Divina Melange 2 Divina 3 Soft leather Elmosoft Field Hallingdal 65 Jet Jumper 3 Pro 3 Soft leather Pause 4 Remix 2 Savanna Steelcut 2 Scuba Steelcut Trio 2 Steelcut Trio 3 Sunniva Sunniva 2 Tonus 4 Tempo Faux leather Valencia • BS5852 Sch. 5 Part 1 Cava 3 Clara Canvas Divina MD Divina Melange 2 Divina 3 Soft leather Elmosoft Hallingdal 65 Soft leather Remix 2 Savanna Steelcut 2 Steelcut Trio 2 Steelcut Trio 3 Tonus 4 Faux leather Valencia

Stackability:

- With stacking protection pad: up to 10 pcs. (should the weight exceed 25 kilos a handling tool must be used).
- With stacking protection pad and trolley: up to 10 pcs.

arper

F +39 0422 791800

T +39 0422 7918

www.arper.com

Juno

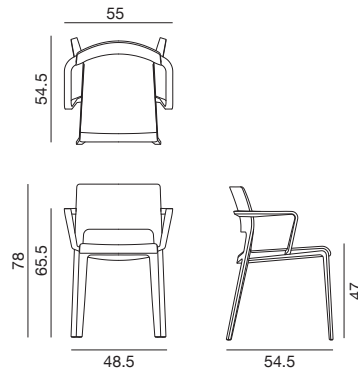
Design by James Irvine, 2012

Art. 3606

Chair with polypropylene 4 leg base, open backrest, armrests and seat pad. The chair is available in 7 different colors and the seat pad is available in fabric, faux leather, leather or customer's material.



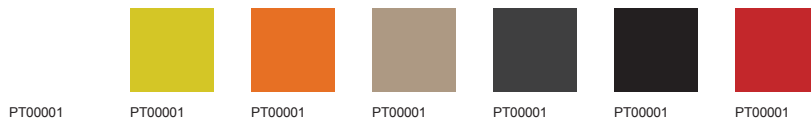
Dimensions *



* File CAD 2D - 3D available for download at www.arper.com

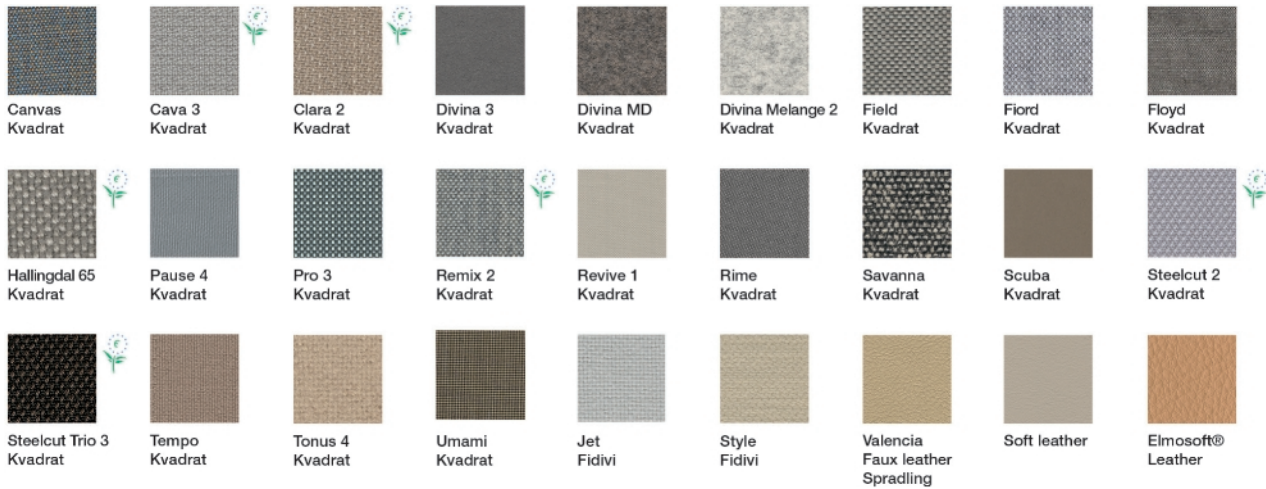
Shell

Polypropylene



PT00001 PT00001 PT00001 PT00001 PT00001 PT00001 PT00001

Carded In



Graded In

kvadrat

camira



DESIGN
TEX



Gabriel



svensson

maharam

Serge Ferrari

Juno

Design by James Irvine, 2012

SHIPMENT DETAILS

Art.3606

- 1 pz = 1  - kg 6/ m³ 0,26
- 2 pz = 1  - kg 11,5/ m³ 0,31
- 4 pz = 1  - kg 19,7/ m³ 0,41

TECHNICAL SPECIFICATIONS

Art.3606

COL requirement m² 0.48
H 140 cm. COM Meterage ml 0.64
Minimum order: 2 items with the same finish.
Stacking protections included.

RESISTANCE TEST

- EN 1728:2000 - EN 15373:2007 6.10
- EN 1728:2000 - EN 15373:2007 6.5
- TUV/GS (EN16139)
- EN 1728:2000 - EN 15373:2007 6.17
- EN 1728:2000 - EN 15373:2007 6.6

FIRE RETARDANT TEST

California TB117-2013 Cava 3 Clara Canvas Divina MD Divina Melange 2 Divina 3 Soft leather Elmosoft Field Hallingdal 65 Jet Jumper 3 Pro 3 Soft leather Pause 4 Remix 2 Savanna Steelcut 2 Scuba Steelcut Trio 2 Steelcut Trio 3 Sunniva Sunniva 2 Tonus 4 Tempo Faux leather Valencia • BS5852 Sch. 5 Part 1 Cava 3 Clara Canvas Divina MD Divina Melange 2 Divina 3 Soft leather Elmosoft Hallingdal 65 Soft leather Remix 2 Savanna Steelcut 2 Steelcut Trio 2 Steelcut Trio 3 Tonus 4 Faux leather Valencia

ENVIRONMENTAL CERTIFICATIONS



Stackability:

- With stacking protection pad: up to 5 pcs. (should the weight exceed 25 kilos a handling tool must be used).
- With stacking protection pad and trolley: up to 5 pcs.

arper

F +39 0422 791800

T +39 0422 7918

www.arper.com