

Juno

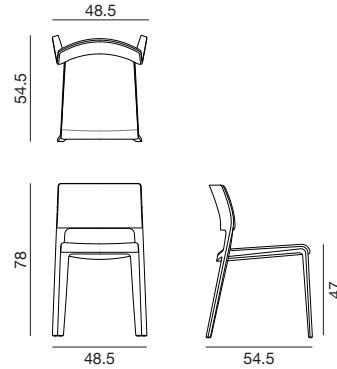
Design by James Irvine, 2012

Art. 3608

Chair with polypropylene 4 leg base, open backrest and seat and backrest pads.
The chair is available in 7 different colors and the pads are available in fabric, faux leather, leather or customer's material.



Dimensions *



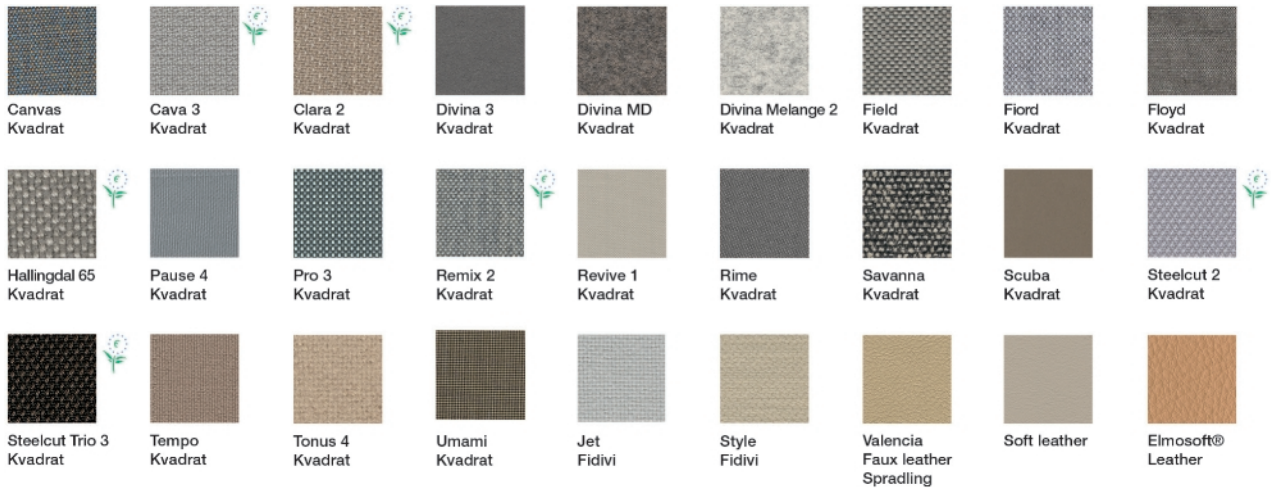
* File CAD 2D - 3D available for download at www.arper.com

Shell

Polypropylene



Carded In



Graded In

kvadrat

camira



DESIGN
TEX



Gabriel



svensson

maharam


Serge Ferrari

Juno

Design by James Irvine, 2012

SHIPMENT DETAILS

Art.3608

- 1 pz = 1  - kg 5/ m³ 0,26
- 2 pz = 1  - kg 10/ m³ 0,27
- 4 pz = 1  - kg 18/ m³ 0,34
- 6 pz = 1  - kg 25/ m³ 0,4

TECHNICAL SPECIFICATIONS

Art.3608

COL requirement m² 0.64
H 140 cm. COM Meterage ml 0.48
Minimum order: 2 items with the same finish.
Stacking protections included.

RESISTANCE TEST

- ANSI/BIFMA X5.1-2011/11
- ANSI/BIFMA X5.1-2011/16
- ANSI/BIFMA X5.1-2011/8
- ANSI/BIFMA X5.1-2011/12
- ANSI/BIFMA X5.1-2011/6
- TUV GS (EN16139)

FIRE RETARDANT TEST

California TB117-2013 Cava 3 Clara Canvas Divina MD Divina Melange 2 Divina 3 Soft leather Elmosoft Field Hallingdal 65 Jet Jumper 3 Pro 3 Soft leather Pause 4 Remix 2 Savanna Steelcut 2 Scuba Steelcut Trio 2 Steelcut Trio 3 Sunniva Sunniva 2 Tonus 4 Tempo Faux leather Valencia • BS5852 Sch. 5 Part 1 Cava 3 Clara Canvas Divina MD Divina Melange 2 Divina 3 Soft leather Elmosoft Hallingdal 65 Soft leather Remix 2 Savanna Steelcut 2 Steelcut Trio 2 Steelcut Trio 3 Tonus 4 Faux leather Valencia

ENVIRONMENTAL CERTIFICATIONS



Stackability:

- With stacking protection pad: up to 10 pcs. (should the weight exceed 25 kilos a handling tool must be used).
- With stacking protection pad and trolley: up to 10 pcs.

arper

F +39 0422 791800

T +39 0422 7918

www.arper.com

Juno

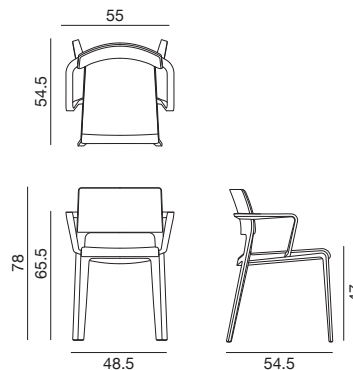
Design by James Irvine, 2012

Art. 3610

Chair with polypropylene 4 leg base, open backrest, armrests and seat and backrest pads. The chair is available in 7 different colors and the pads are available in fabric, faux leather, leather or customer's material.



Dimensions *



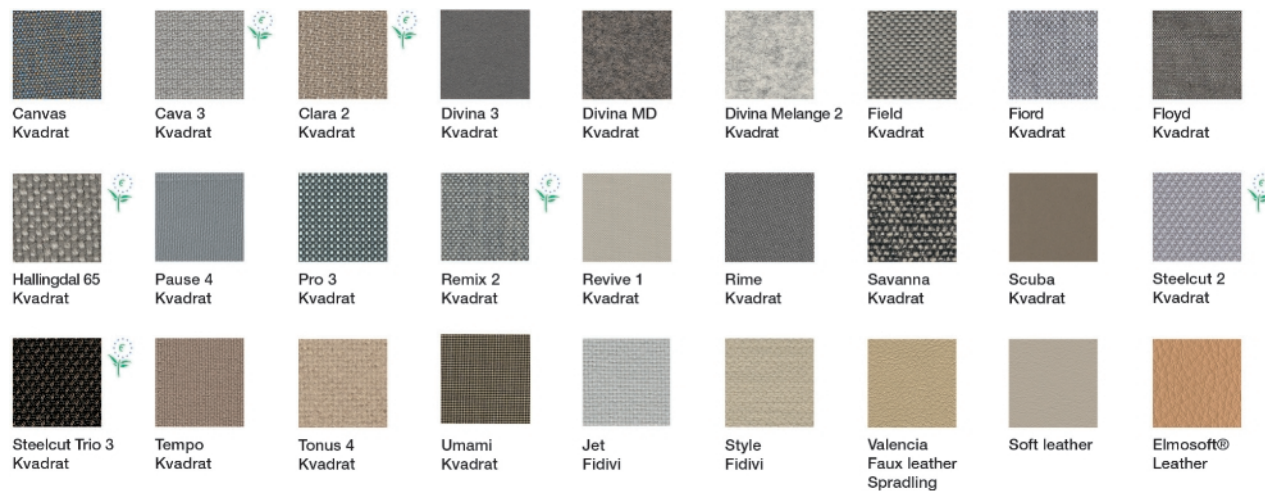
* File CAD 2D - 3D available for download at www.arper.com

Shell

Polypropylene



Carded In



Graded In



arper

F +39 0422 791800

T +39 0422 7918

www.arper.com

Juno

Design by James Irvine, 2012

SHIPMENT DETAILS

Art.3610

- 1 pz = 1  - kg 6/ m³ 0,26
- 2 pz = 1  - kg 11,5/ m³ 0,31
- 4 pz = 1  - kg 19,7/ m³ 0,41

TECHNICAL SPECIFICATIONS

Art.3610

COL requirement m² 0.48
H 140 cm. COM Meterage ml 1.28 .
Minimum order: 2 items with the same finish.
Stacking protections included.

RESISTANCE TEST

- EN 1728:2000 - EN 15373:2007 6.10
- EN 1728:2000 - EN 15373:2007 6.5
- TUV/GS (EN16139)
- EN 1728:2000 - EN 15373:2007 6.17
- EN 1728:2000 - EN 15373:2007 6.6

FIRE RETARDANT TEST

California TB117-2013 Cava 3 Clara Canvas Divina MD Divina Melange 2 Divina 3 Soft leather Elmosoft Field Hallingdal 65 Jet Jumper 3 Pro 3 Soft leather Pause 4 Remix 2 Savanna Steelcut 2 Scuba Steelcut Trio 2 Steelcut Trio 3 Sunniva Sunniva 2 Tonus 4 Tempo Faux leather Valencia • BS5852 Sch. 5 Part 1 Cava 3 Clara Canvas Divina MD Divina Melange 2 Divina 3 Soft leather Elmosoft Hallingdal 65 Soft leather Remix 2 Savanna Steelcut 2 Steelcut Trio 2 Steelcut Trio 3 Tonus 4 Faux leather Valencia

ENVIRONMENTAL CERTIFICATIONS



Stackability:

- With stacking protection pad: up to 5 pcs. (should the weight exceed 25 kilos a handling tool must be used).
- With stacking protection pad and trolley: up to 5 pcs.

arper

F +39 0422 791800

T +39 0422 7918

www.arper.com