

# Masai

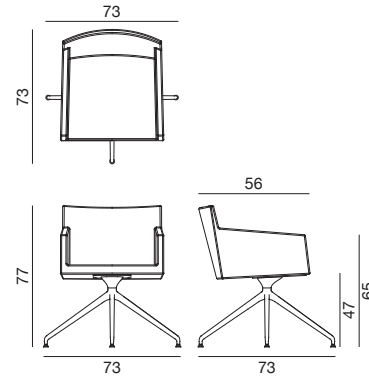
Design by Lievore Altherr Molina, 2001

## Art. 0410

Armchair with polished or powdercoated aluminum pedestal base. Polyethylene shell upholstered in leather, faux leather, fabric or customer's material.



### Dimensions \*



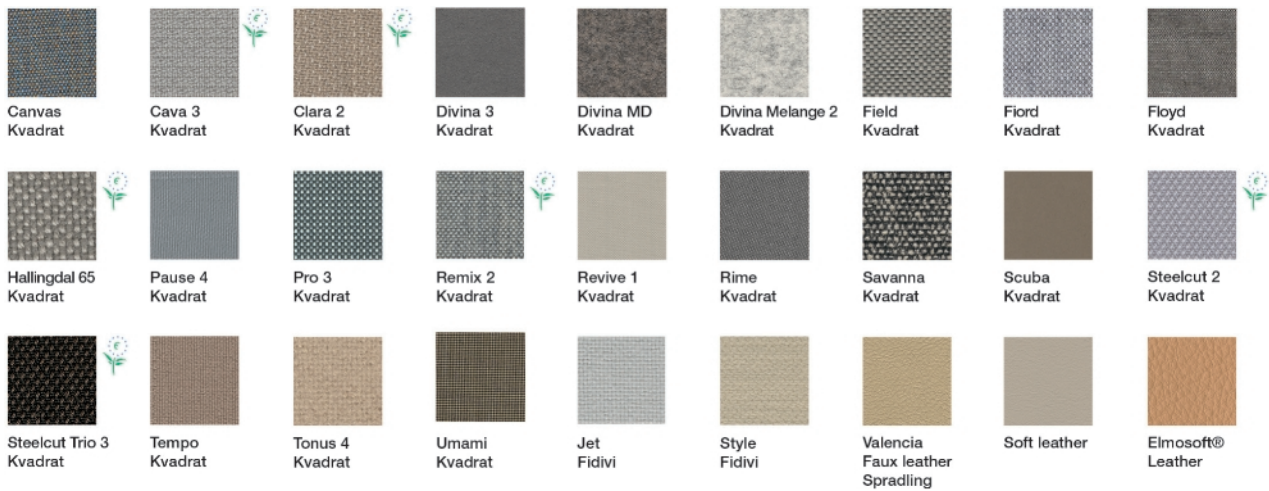
\* File CAD 2D - 3D available for download at [www.arper.com](http://www.arper.com)

### Frame Base



### Shell

#### Carded In



#### Graded In

**kvadrat**

**camira**



DESIGN  
TEX



**Gabriel**



**svensson**

**maharam**

**Serge Ferrari**

# Masai

## Design by Lievore Altherr Molina, 2001


### Accessories:



Set of glides Art. 2015

### SHIPMENT DETAILS

#### Art.0410

1 pz = 1  - kg 18,1/ m³ 0,35

### TECHNICAL SPECIFICATIONS

#### Art.0410

COL requirement m² 2.57

H 140 cm. COM Meterage ml 1.65

Soft leather: standard ochre stitching. Other colours available upon request.

### RESISTANCE TEST

- EN 1728:2000 - EN 15373:2007 6.15
- EN 1728:2000 - EN 15373:2007 6.2.1
- EN 1728:2000 - EN 15373:2007 6.7
- EN 1335-3:2009 7.1
- EN 1728:2000 - EN 15373:2007 6.16
- EN 1728:2000 - EN 15373:2007 6.2.2
- EN 1728:2000 - EN 15373:2007 6.8

### FIRE RETARDANT TEST

BS5852 i.s. 5 Soft leather Elmosoft Pro 3 Tonus 4 • California TB117-2013 Cava 3 Clara Canvas Divina MD Divina Melange 2 Divina 3 Soft leather Elmosoft Field Hallingdal 65 Jet Jumper 3 Pro 3 Soft leather Pause 4 Remix 2 Savanna Steelcut 2 Scuba Steelcut Trio 2 Steelcut Trio 3 Sunniva Sunniva 2 Tonus 4 Tempo Faux leather Valencia • BS5852 Sch. 4 Part 1 Soft leather Elmosoft Pro 3 Soft leather Tonus 4 • BS5852 Sch. 5 Part 1 Cava 3 Clara Canvas Divina MD Divina 3 Soft leather Elmosoft Hallingdal 65 Soft leather Remix 2 Savanna Steelcut 2 Steelcut Trio 2 Steelcut Trio 3 Tonus 4 Faux leather Valencia • EN 1021 - 1 Divina Melange 2 Soft leather Elmosoft Pro 3 • EN 1021 - 2 Divina Melange 2 Soft leather Elmosoft Pro 3

### ENVIRONMENTAL CERTIFICATIONS



arper

F +39 0422 791800

T +39 0422 7918

www.arper.com