

PARENTESIT



arper

INSTALLATION, USE AND MAINTENANCE INSTRUCTIONS

Dear Customer,
Thank you for choosing Parentesit: a high quality, reliable and long-lasting product.

This manual contains important information and suggestions that must be observed when installing the product and to ensure it is best used.

This manual applies to the following products:

Model	Version	Code
Circle	Sound absorbent	5102-B00
	Audio	5102-B01
	Light	5102-B02
	Audio + Light	5102-B11
Square	Sound absorbent	5100-B00
	Audio	5100-B01
	Light	5100-B02
	Audio + Light	5100-B11
Diagonal square	Sound absorbent	5101-B00
	Audio	5101-B01
	Light	5101-B02
	Audio + Light	5101-B11
Oval	Sound absorbent	5103-B00
	Audio	5103-B01
	Light	5103-B02
	Audio + Light	5103-B11

Symbols used in the manual and their meaning



NOTE: This indicates a specific piece of information.



WARNING, DANGER: This indicates actions that, if not performed correctly, create a risk of general accidents, malfunctions or material damage to the machine. Careful attention must therefore be paid and suitable preparation is necessary.



DO NOT: This indicates actions that **MUST NOT** be performed.



WARNING, ELECTRICAL DANGER: This indicates actions that may cause electrical accidents, if not performed correctly. Careful attention must therefore be paid and suitable preparation is necessary.

Symbols used on the product label and their meaning



ELECTRICAL PROTECTION RATING: this symbol shows that the appliance is Class II.



TYPE OF POWER: this symbol shows that the appliance only operates with alternating current.



DISPOSAL: this symbol shows that the device should be disposed of according to the local regulations in force regarding industrial and special waste.

Conformity

ARPER SPA declares that Parentesit complies with the essential requirements of the following directives and standards:

- R&TTE Directive: Radio and telecommunications terminal equipment
- Marcatura CE
- ENEC; certificazione elettrica europea
- CB; Sistema di certificazione internazionale
- cNUS; Certificazione Nemko per Nord America

CE Declaration of Conformity.

Pursuant to the Directive R&TTE the manufacturer, ARPER SPA, Via Lombardia 16, 31050 Monastier di Treviso (TV), Italy, **DECLARES THAT** the product Parentesit complies with the above EU Directives.

The Technical Manager.



Index

1. General information	40
1.1 Warranty	40
1.2 Warnings and safety rules	42
1.3 Prohibitions	43
1.4 Device description	44
1.5 ID	44
1.6 Structure	45
1.7 Technical characteristics	46
2. Installation	47
2.1 Receipt of the product	47
2.2 Size and weight	48
2.3 Handling	49
2.4 Installation room	50
2.5 Fixing the brackets	51
Circle and square models	51
Oval models	52
2.6 Assembling the circle models	53
2.7 Assembling the square models	55
2.8 Assembling the oval models	57
Horizontal position	57
Vertical position	58
2.9 Composition examples	60
Circle models	60
Square models	61
Horizontal oval models	62
Vertical oval models	63
3. Use	64
3.1 Preliminary tasks	64
3.2 Mains connection	64
3.3 Commissioning	65
Light version	65
Audio version	65
Audio + Light version	66
3.4 Faults: causes and solutions	68
3.5 Switching off for long periods	68
4. Maintenance	69
4.1 Cleaning the outside	69
Everyday cleaning	69
Stain removal	69
4.2 Disposal	69

1. General information

1.1 Warranty

Arper guarantees that the product Parentesit (hereinafter “the Product”) has been manufactured using quality materials and the best technologies in the sector, in compliance with the relevant standards in force.

Arper guarantees the Product against conformity defects, provided that it is used in the conditions for which it was designed and in full compliance with the “Installation, use and maintenance instructions”, which accompany each product.

Arper guarantees the Product against defects that make it unsuitable for the use for which it was designed, as detailed in the “Installation, use and maintenance instructions”, as well as against defects that significantly reduce the value of the Product, which must be brought to Arper’s attention within a fixed term of two months after they come to light.

The following are not considered defects that significantly reduce the value of the Product:

- I. any two LEDs on the panel light strip not working;
- II. defects deriving from normal use of the Product;
- III. defects deriving from instructions or materials provided by the consumer.

Arper guarantees the correct functioning of the Product and its properties, notwithstanding the limitations specified below, from the delivery date for a period of 2 years for the Product and for 24 months for the electrical parts, on the condition that any defect is communicated to Arper within two months of it coming to light.

Arper replaces any Product that proves to be non-compliant with this warranty free of charge, excluding any other remedy provided for by the law.

This warranty is subject to the following limitations and is void when:

- I. The “Installation, use and maintenance manual” is not respected (with particular reference to the sections Warnings, Prohibitions and Maintenance);
- II. Assistance and maintenance work on the Product is not performed by Arper or by an entity authorised by Arper;
- III. The Product has been changed and/or attempts to repair the Product have been made but not by a qualified Arper technician or a technician authorised by Arper;
- IV. The components, external accessories or materials applied to the Product do not correspond to the originals, provided together with the Product on delivery;

-
- V. The Product serial number is illegible and/or has been modified and/or where the ID data plate is missing for electrical products;
 - VI. Changes have been made to the Product software or the software has been tampered with, where not authorised by Arper;
 - VII. The Product has been installed and/or used in places exposed to weathering and/or in places where the Product could come into contact with or be exposed to liquids, humidity, sources of heat or direct sunlight;
 - VIII. The Product is used with a power cable other than the one recommended by Arper;
 - IX. The power cable, plug or socket are not integral as a result of how they have been used;
 - X. The Product, in the audio and light + audio versions, has been installed less than 20 cm (7 7/8") away from other electronic devices with antennas or radio transmitters;
 - XI. The Product is used by people who operate electronic equipment incorrectly, shielded or otherwise, such as pacemakers, hearing aids, medical devices and other electronic devices, without consulting the manufacturers of the relative electronic devices;
 - XII. The Product is used by people with reduced psychological or motory abilities and/or by people lacking the necessary experience and knowledge (including children), where not supervised by somebody responsible for their safety;
 - XIII. The Product is not handled with care;
 - XIV. The Product is fixed on a wall that is not suitable for supporting its weight and/or using plugs and screws that are not sufficient to hold it, in relation both to the Product model and the wall chosen to fix it to;
 - XV. The Product is not regularly and adequately cleaned, in line with section 4 of the "Installation, use and maintenance manual" relating to Product maintenance.

For audio, light and light + audio Products, in addition to the above, the warranty is also void where, before commissioning the Product, the following circumstances are not met:

- XVI. The electrical system the Product is connected to has been implemented in compliance with the relevant regulations and by qualified professionals;
- XVII. The appliance voltage as shown on the technical data plate corresponds to the power supply to the socket the Product is connected to;
- XVIII. The power socket is suitable for the device plug;
- XIX. The Product is not used with extension cables or multi-way adapters;
- XX. After installation, the power socket is not easily accessible.

1.2 Warnings and safety rules



NOTES:

- This manual belongs to ARPER SPA; it is forbidden to reproduce the content or transfer it to third parties. All rights are reserved. It is an integral part of the product; ensure that the manual always accompanies the device, including if sold/transferred to another owner, to ensure it is available for consultation by the user or authorised maintenance or repair worker.
- Read this manual carefully before using the device to guarantee safe operation.
- The product is delivered in a single package. Ensure the supply is complete; should it not correspond to the order placed, contact the dealer that sold the device.
- Should the device packaging be damaged, inform the carrier and the product supplier promptly.
- The device is not designed to be installed and used in locations exposed to weathering.
- For any doubts regarding the condition or operation of the device and its annexed parts, please contact your local dealer for further information.
- Once the device has been commissioned, inform the product supplier of any faults or malfunctions encountered.
- Only use a power cable suitable for the application (minimum cross-section 0.75 mm² or 18AWG, length between 1.5m - 5 ft and 3 m - 10 ft) which is fitted with a plug and appropriate connector for the country where the device will be sold (for the USA and Canada, the plug must be designed to support 125% of the device's rated current).
- Use a power socket that is close by and easily accessible.
- Do not pull or bend the power cable when it is connected to the power socket.
- The device can produce loud sounds; to avoid causing damage to your hearing in the short, medium or long term, avoid listening to loud audio for prolonged periods of time. Please remember that permanent hearing damage may come to light later on. The higher the volume, the quicker the damage to your hearing.

-
- **Parentesit**, in the audio and light + audio versions, must be installed more than 20 cm (7 7/8”) away from people and other electronic devices with antennas or radio transmitters.
 - The device emits radio frequency signals which may negatively interfere with electronic equipment, shielded or otherwise, such as pacemakers, hearing aids, medical devices and other electronic devices. To resolve any interference problems, please contact the manufacturers of the electronic devices.
 - This device is not designed to be used by people with reduced physical or mental ability, or those lacking experience or the relevant knowledge (including children), unless supervised by someone responsible for their safety and suitably informed as to how to use the device.
-

1.3 Prohibitions



DO NOT:

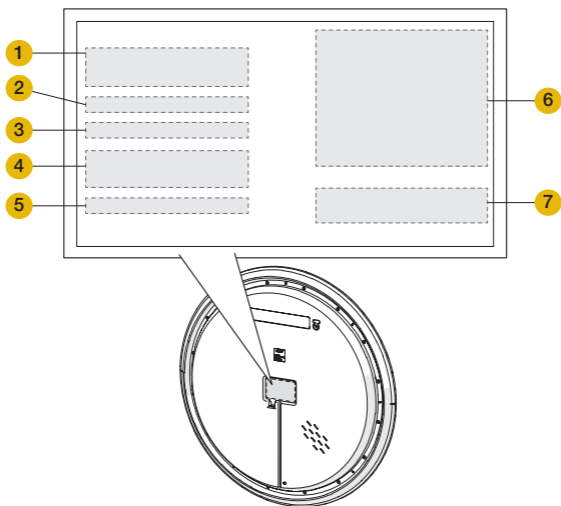
- Make changes to or attempt to repair the product. Any repairs must be performed by a qualified professional.
- Leave the device exposed to weathering.
- Allow the device to come into contact with liquids or touch the device when wet or damp. In case of electrical leakage when you touch the device, unplug it from the electrical mains and contact an authorised retailer.
- Position the device close to sources of heat or exposed to direct sunlight.
- Dispose of the device irresponsibly or leave the packaging material within the reach of children, as it could be a potential source of danger. It must be disposed of in accordance with the legislation in force.
- Rest any object on the panel, either during installation or for the duration of the panel's life.

1.4 Device description

Parentesit is a decorative, modular wall panel that is sound-absorbent and can be accessorised with an audio or light, or audio + light system.

1.5 ID

The electrical versions of **Parentesit** panels can be identified by the technical data plate. This is located on the back of the device. It lists the technical device data, along with all other information required by the legislation in force.

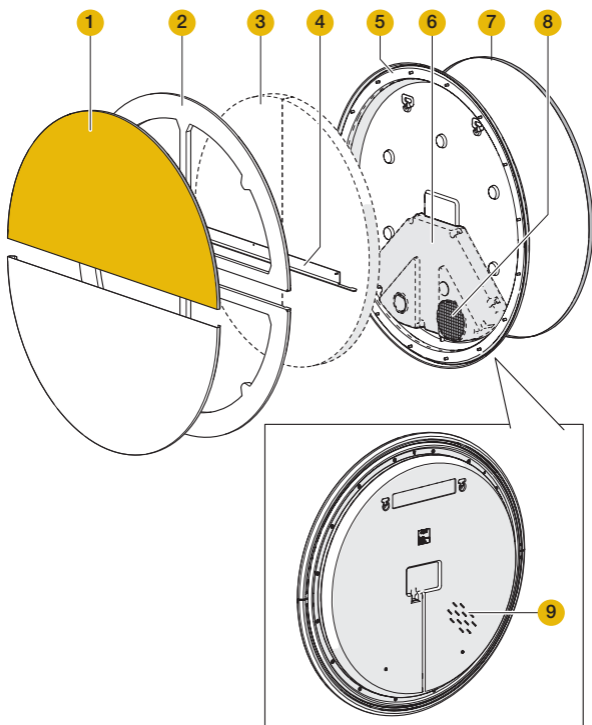


- 1 Manufacturer ID data
- 2 Product
- 3 Model
- 4 Technical data

- 5 Test no.
- 6 Conformity markings
- 7 Reference legislation (*)

(*) Audio and Audio + Light versions only.

1.6 Structure



- 1** Fabric
- 2** Frame
- 3** Sound absorbent panel (sound-absorbent model only)
- 4** Profile
- 5** Bottom
- 6** Internal box (electrical

- versions only)
- 7** LED (light version only)
- 8** Loudspeakers (audio version only)
- 9** Intrusion-proof rear vents for heat dissipation

1.7 Technical characteristics

Electrical versions (Light; Audio; Audio + Light).

Electrical power supply	100-240 V AC - 50/60 Hz		
Audio output	Power amplifier	25 W RMS, class D	
	Driver unit	1 midrange woofer 100 mm Ø (4")	
		1 tweeter 20 mm Ø (3/4")	
	Effective frequency range	100 - 20000 Hz	
	Main loudspeaker	Bass reflex	
	Installation	Wall	
	Wireless connection	Bluetooth 3.0 with A2DP profile	
Streaming services supported	All (*)		
Consumption	Light	Circle	33 W
		Square	42 W
		Oval	60 W
	Audio	Circle	68 W
		Square	77 W
		Oval	95 W
Bluetooth specifications	Compatible operating systems	Window 8 or later (*)	
		MAC OS (*)	
Environment	Working temperature: 0°C - 35°C (32 - 95°F)		
	Working humidity: 30 - 95% non-condensing RH		

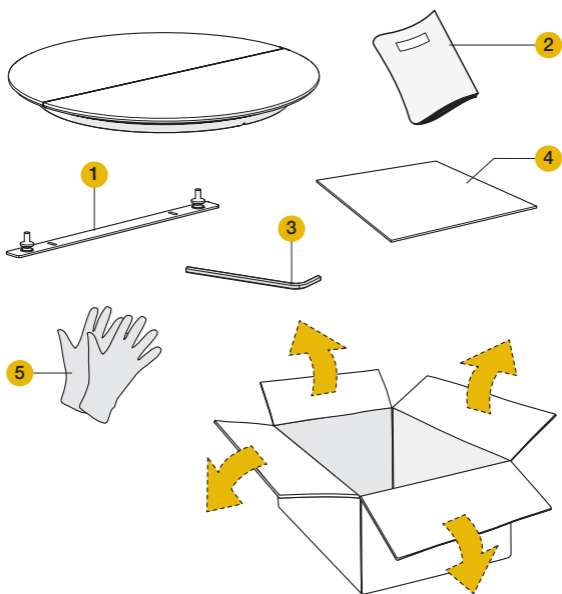
(*) If the device supports protocol A2DP.
Arper Parentesit app compatibility: IOS 8.0 or later; Android 4.2 or later

2. Installation

2.1 Receipt of the product

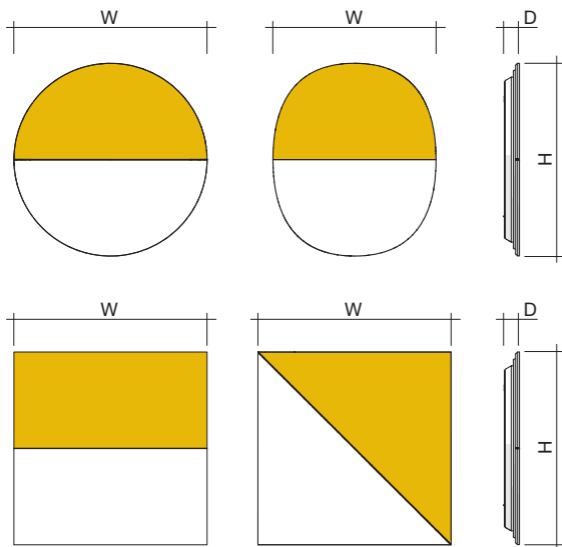
Parentesit panels are supplied in a single pack, protected with cardboard packaging. The following material is also supplied with the product:

- | | | | |
|---|---------------------|---|--|
| 1 | Wall bracket | 4 | Cardboard template for the holes in the wall |
| 2 | Instruction booklet | 5 | Gloves |
| 3 | Hex wrench | | |



Dispose of the device irresponsibly and do not leave the packaging material within the reach of children, as it could be a potential source of danger. It must be disposed of in accordance with the legislation in force.

2.2 Size and weight



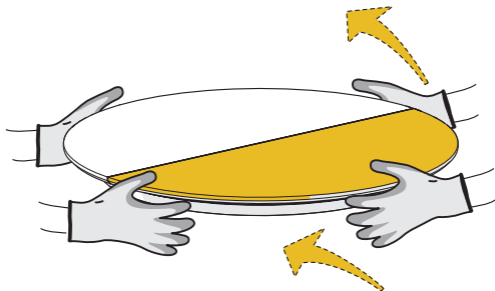
		Circle	Square	Diagonal square	Oval
W (cm-inch)		100 Ø	95		152
H (cm-inch)		39 3/8"	37 3/8"		59 7/8"
D (cm-inch)		8	8		8
		3 1/8"	3 1/8"		3 1/8"
Weight (kg-lbs)*	Sound absorber	8 17.6	9 20	9.5 21	20 44
	Electrical	12 26.5	12.5 27.5	13 28.7	25 55

(*) Net weight without packaging.

2.3 Handling

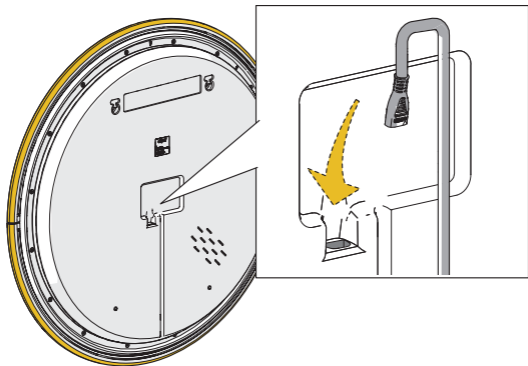
Once you have removed the packaging, the Parentesit panels can be handled manually as they are not particularly heavy.

We recommend gripping them at the back using the gloves provided, so as not to damage or dirty the covered surface on the front panel.



Respect the maximum weight that can be lifted by one person.

Electrical versions must only be powered using a power cable suitable for the application (see “1.2 Warnings and safety rules” on page 42).



2.4 Installation room

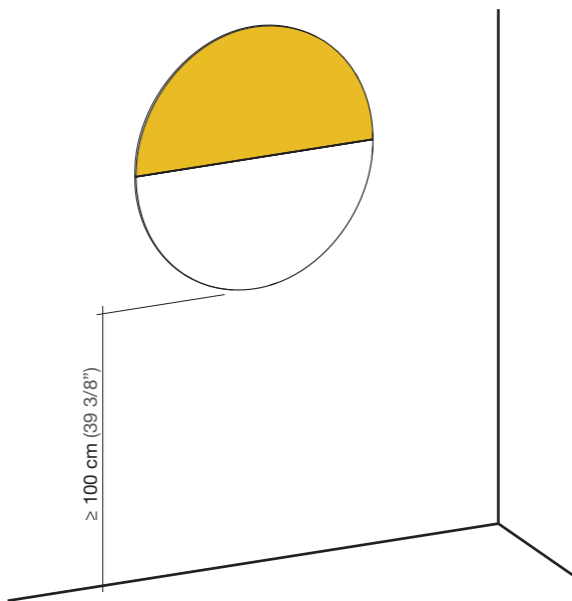
Parentesit has been designed and built to be mounted on the wall. Choose the wall, plugs and screws carefully, as they must be able to support the weight of the panels.



Do not install or use Parentesit in places exposed to weathering, position them close to sources of heat, or expose them to direct sunlight.



We recommend respecting the minimum heights from the ground for child safety purposes.



2.5 Fixing the brackets

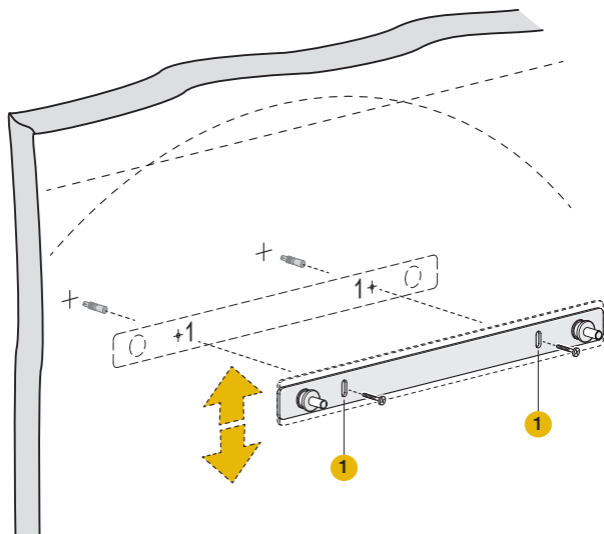


The screws and plugs for fixing the panels to the wall are not supplied. It is the customer's responsibility to purchase suitable screws and plugs for the weight of the model purchased (see page 48) and the type of wall being used. Two screws are required per bracket, and they must be no more than 5 mm (13/64") in diameter and 3.5 mm (1/8") in height.

A cardboard template is provided with the device to make fixing **Parentesit** to the wall easier.

Circle and square models

- Use the template provided to make the holes in the wall. Make the holes in position "1"
- Insert the plugs (not supplied) and fix the bracket only after having positioned it perfectly horizontally, using the slots as a guide.

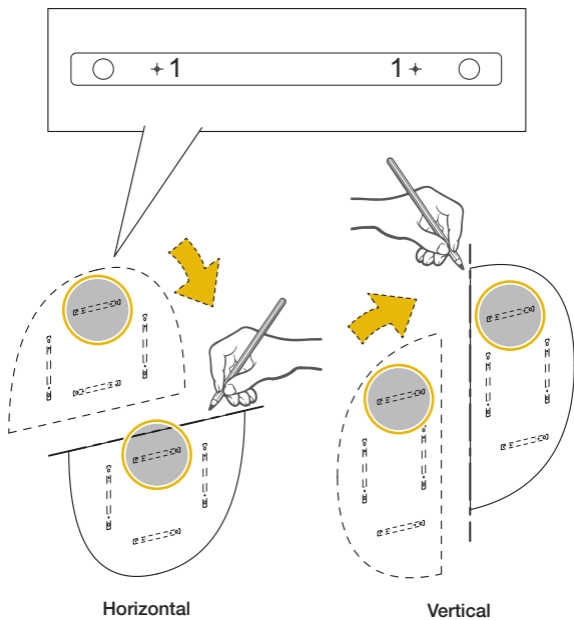


Oval models



Before making the holes in the wall, decide which angle you want the panel to sit at, as this is determined directly when fixing the bracket to the wall.

- Position the template supplied at the chosen angle
- Make the holes as for the circle and square models
- Repeat for the other half of the panel, taking care to mark the central line with a pencil to help you position the template



- Insert the plugs (not supplied) and fix the two brackets only after having positioned them perfectly horizontally and aligned with each other, using the slots as a guide.

2.6 Assembling the circle models

There are 4 possible angles for the circle models.
After deciding on the desired angle, follow the instructions below.



-45°



0°



+45°



90°

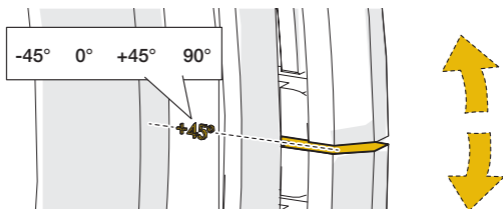


To make it easier to assemble the device, rest the panel on a clean, flat surface with the bottom facing upwards.

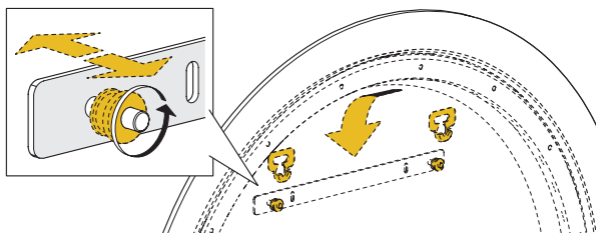
- Unscrew all of the screws on the rear side of the panel, using the hex wrench supplied



-
- Turn fully until the chosen angle lines up with the incision on the edge, and fix the screws removed previously

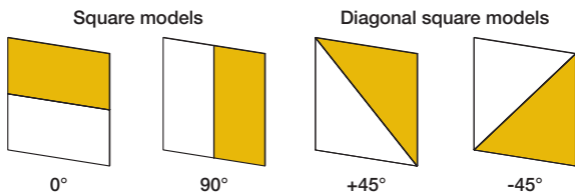


- Hook Parentesit onto the bracket using the pins.



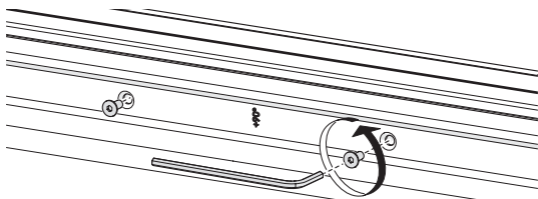
2.7 Assembling the square models

There are 2 possible angles for the square models. Once you have decided on the preferred angle, follow the instructions below.



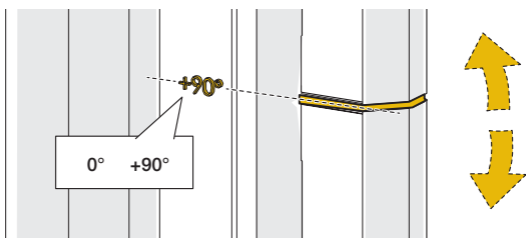
To make it easier to assemble the device, rest the panel on a clean, flat surface with the bottom facing upwards.

- Unscrew all of the screws on the rear side of the panel, using the hex wrench supplied

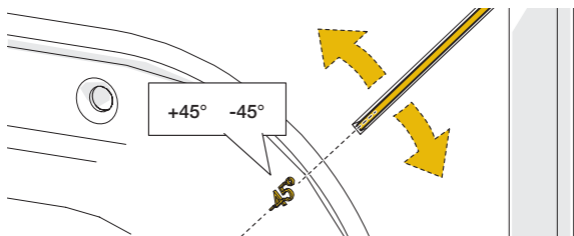


- Turn fully until the chosen angle lines up with the incision on the edge, and fix the screws removed previously

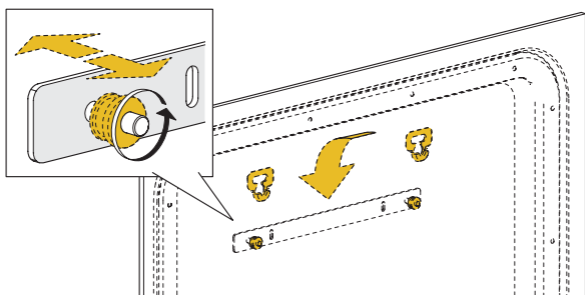
Square model



Diagonal square model



– Hook Parentesit onto the bracket using the pins.

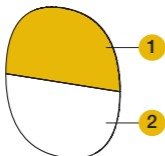


2.8 Assembling the oval models

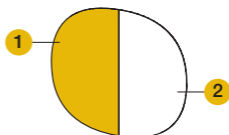


The horizontal or vertical position of the oval is determined directly by where the bracket is fastened to the wall, see page 52.

Horizontal

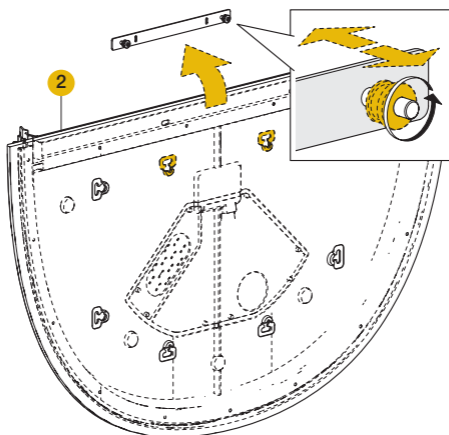


Vertical

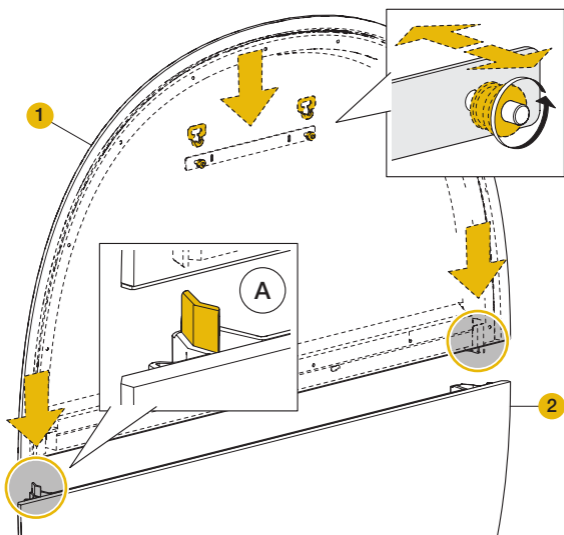


Horizontal position

— First hook panel no. 2 onto the bracket using the pins

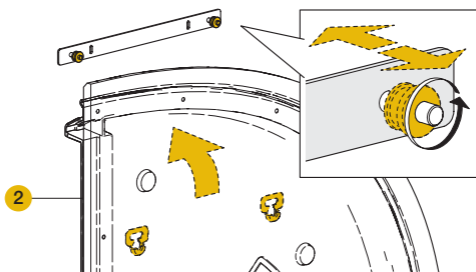


-
- Then hook on panel no. 1, taking care to slot in the tabs (see part. A), which ensure that the two panels are perfectly aligned.

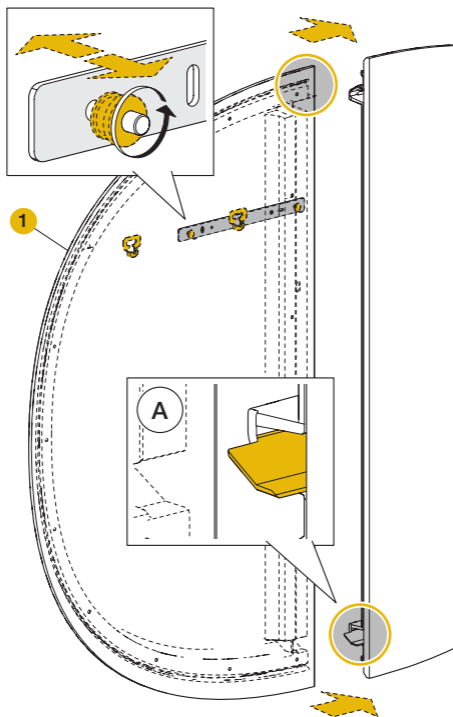


Vertical position

- First hook panel no. 2 onto the bracket using the pins.



-
- Then hook on panel no. 1, taking care to slot in the tabs (see part. A), which ensure that the two panels are perfectly aligned.

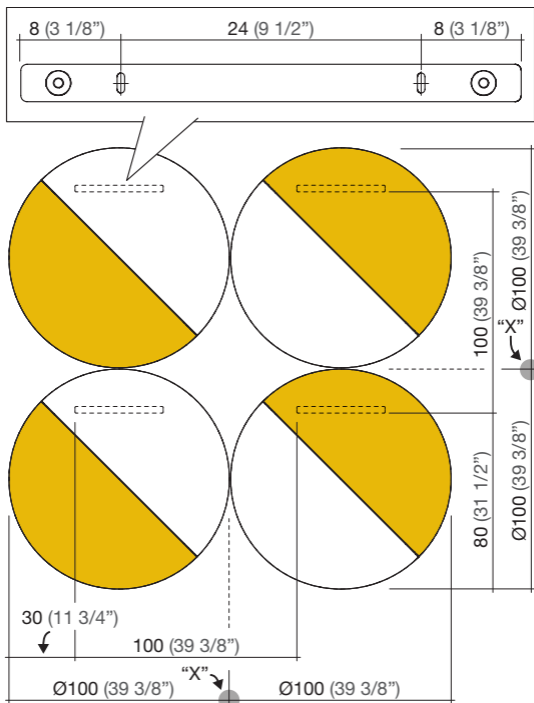


2.9 Composition examples

Circle models



Always start from the bottom left panel. The point "X" is purely indicative; it can be increased to suit the customer's preferences.



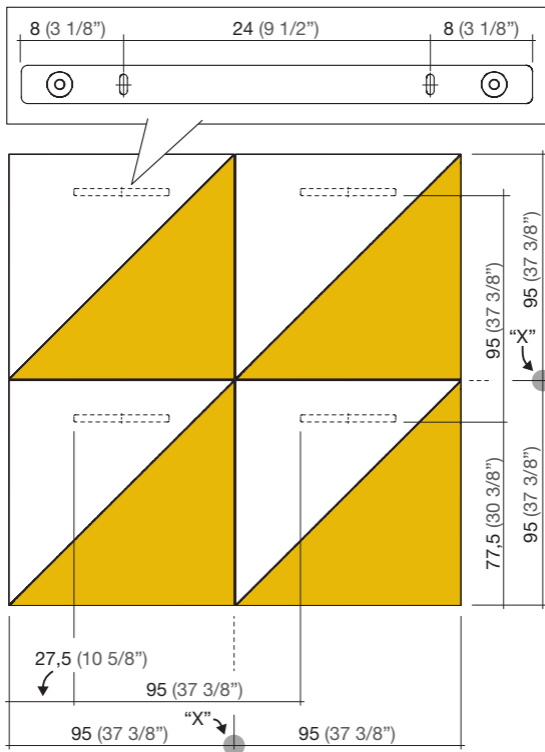
NOTE:

- Point "X" can be equal to or greater than zero; the distance between the brackets needs to be increased by the same amount as the value "X".
- All sizes are in centimetres and inches.
- The panel can be adjusted horizontally ± 10 mm ($\pm 3/8$ ").
- By turning the knobs on the bracket, the depth of the panel can be adjusted. The bracket can be adjusted vertically ± 5 mm ($\pm 1/8$ ").

Square models



Always start from the bottom left panel. The point "X" is purely indicative; it can be increased to suit the customer's preferences.



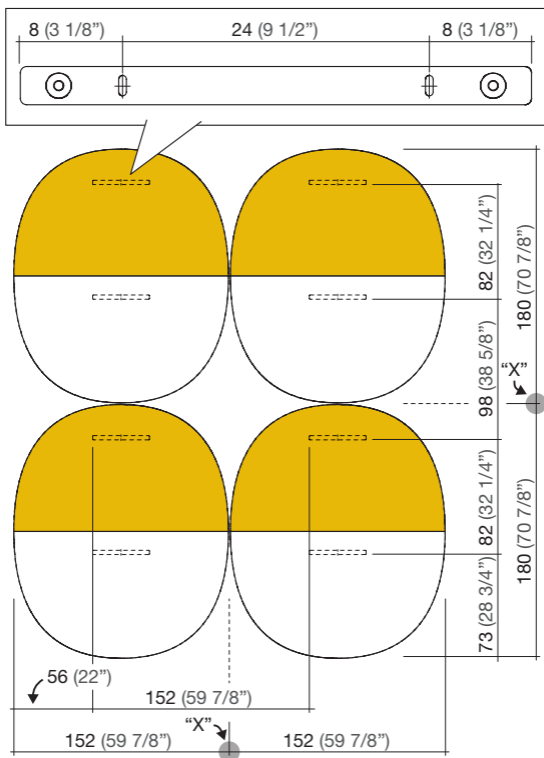
NOTE:

- Point "X" can be equal to or greater than zero; the distance between the brackets needs to be increased by the same amount as the value "X".
- All sizes are in centimetres and inches.
- The panel can be adjusted horizontally ± 10 mm ($\pm 3/8$ ").
- By turning the knobs on the bracket, the depth of the panel can be adjusted. The bracket can be adjusted vertically ± 5 mm ($\pm 1/8$ ").

Horizontal oval models



Always start from the bottom left panel. The point "X" is purely indicative; it can be increased to suit the customer's preferences.



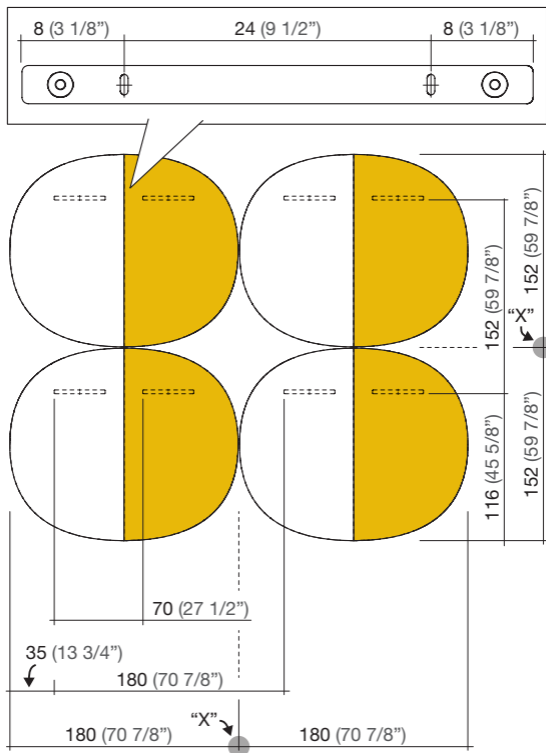
NOTE:

- Point "X" can be equal to or greater than zero; the distance between the brackets needs to be increased by the same amount as the value "X".
- All sizes are in centimetres and inches.
- The panel can be adjusted horizontally ± 10 mm ($\pm 3/8$ ").
By turning the knobs on the bracket, the depth of the panel can be adjusted. The bracket can be adjusted vertically ± 5 mm ($\pm 1/8$ ").

Vertical oval models



Always start from the bottom left panel. The point "X" is purely indicative; it can be increased to suit the customer's preferences.



NOTE:

- Point "X" can be equal to or greater than zero; the distance between the brackets needs to be increased by the same amount as the value "X".
- All sizes are in centimetres and inches.
- The panel can be adjusted horizontally ± 10 mm ($\pm 3/8$ ").
By turning the knobs on the bracket, the depth of the panel can be adjusted. The bracket can be adjusted vertically ± 5 mm ($\pm 1/8$ ").

3. Use

Audio, Light and Audio + Light models only.

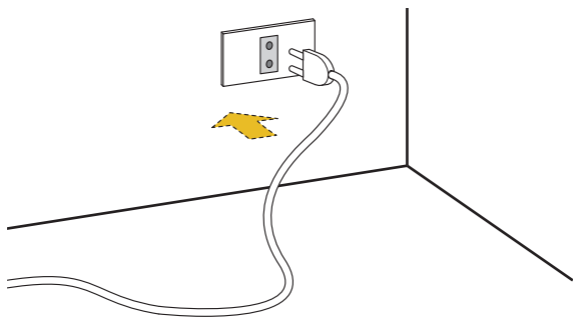
3.1 Preliminary tasks

Before operating the device, check that:

- the electrics have been installed by qualified professionals and in compliance with the relevant regulations
- the device voltage as shown on the technical data plate corresponds with the power socket mains voltage
- the power socket is suitable for the device plug. Do not use extension cables or multi-way adapters
- the plug is easily accessible, given that it is used to disconnect the device from the electrics in the final installation.

3.2 Mains connection

- The cable must be fitted with an appropriate plug
- After checking that the power socket is suitable for the plug used, insert the plug in the socket.





WARNING, ELECTRICAL DANGER:

Where the power socket is **NOT** suitable for the plug used, do not force the plug into the socket; contact your local retailer for further information.



Do not use extension cables or multi-way adapters.

3.3 Commissioning

Light version

Connect a power cable that is suitable for the application to the socket on the device (see “Warnings and safety rules” on page 42).

Audio version

Parentesit can operate with devices that use Bluetooth (e.g. smartphones, tablets, notebooks and PCs with protocol A2DP).

Proceed as follows:

- connect a power cable that is suitable for the application to the socket on the device (see “Warnings and safety rules” on page 42)
- activate Bluetooth on your device (for more information, see the user manual for your device)
- the device searches for all active Bluetooth connections
- choose “Arper Parentesit” and connect the device to Parentesit.



The device has a range of approximately 9 metres (29.5 ft) in an open room; beyond this distance, Parentesit automatically disconnects.



Songs are chosen and the volume is adjusted via the device that is connected to Parentesit.

Audio + Light version

Parentesit can operate via the app only with smartphones or tablets.

Proceed as follows:

- connect a power cable that is suitable for the application to the socket on the device (see “Warnings and safety rules” on page 42)
- download the “Arper Parentesit” app (from Play Store for Android devices or the App Store for Apple devices)
- activate Bluetooth on your smartphone or tablet (for more information, see the user manual for your device)
- the device searches for all active Bluetooth connections
- select “Arper Parentesit” and connect the device to Parentesit
- the device connects automatically to the Parentesit panel

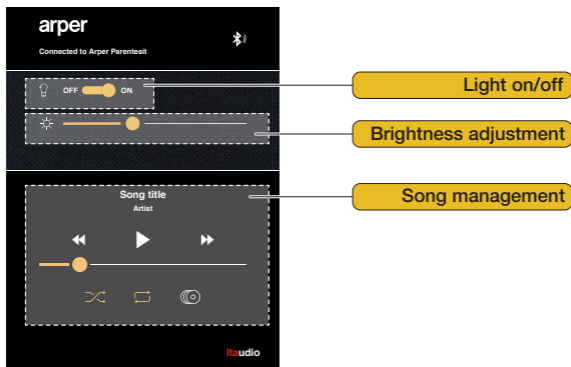



The device has a range of approximately 9 metres (29.5 ft) in an open room; beyond this distance, Parentesit automatically disconnects.



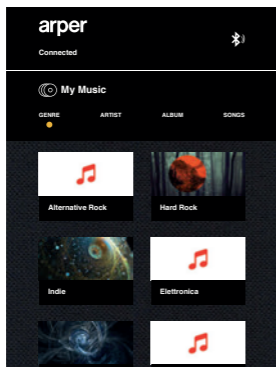
With PCs and notebooks, the brightness of the panel cannot be modified.

- launch the app and access the function control screen.

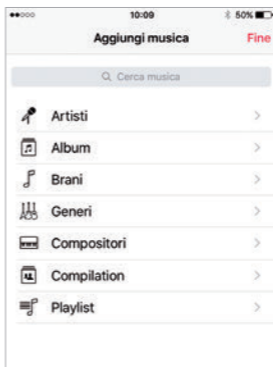


Tap the  icon to display the music on the connected device and choose the type of song display, by genre, artist, album or song title.

Android



Apple



If there is no music on the device connected to Parentesit, the song list will be empty.

3.4 Faults: causes and solutions

Fault	Possible cause	Solution
Parentesit does not turn on	Power cable not connected	Connect the power cable to the wall socket and the back of the panel
	Parentesit is not turned on	Turn Parentesit on
Parentesit does not connect to the device	The device is too far away	Move the device closer to Parentesit and keep it within 9 metres (29.5 ft)
	Device not equipped with Bluetooth	Replace the device with one with a Bluetooth connection



If you are not able to resolve the problem, please contact an authorised retailer.

3.5 Switching off for long periods

Should you need to turn off the device for a prolonged period of time (for a holiday, etc.), unplug it from the socket in the wall.

4. Maintenance

4.1 Cleaning the outside

Clean the device regularly in order to best preserve the fabric covering and prolong the life of the panel. Dust and dirt cause the fabric to wear and also reduce its fire-proof properties, and they may reduce the sound and light intensity.



Do not rub the material aggressively so as not to damage the fabric and cause it to lose its colour.



Never use a Hoover as this could damage the fabric or the loudspeakers inside the panel.

Everyday cleaning

- Use a soft-bristled brush to remove any dirt from the fabric.
- Use a clean, lint-free cloth to remove any dust from the row of LEDs.

Stain removal

- Remove any sticky marks by dabbing delicately with a lint-free cloth.



Do not use any chemical products or steam cleaning equipment.

4.2 Disposal



Take particular care to follow the correct procedures for disposing of all of the packaging components. At the end of its life, the device should be disposed of according to the local regulations in force regarding industrial and special waste.