

Duna 02

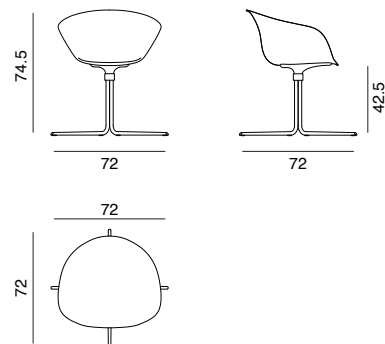
Design by Lievore Altherr Molina, 2014

Art. 4205

Chair with chromed steel swivel trestle base and polypropylene shell available in six colors.



Dimensions *



* File CAD 2D - 3D available for download at www.arper.com

Frame Base



CRO

Shell

arper

F +39 0422 791800

T +39 0422 7918


www.arper.com


Duna 02

Design by Lievore Altherr Molina, 2014

SHIPMENT DETAILS

Art.4205

1 pz = 2  - kg 16,74/ m³ 0,36

4 pz = 2  - kg 59,24/ m³ 0,92

RESISTANCE TEST

FIRE RETARDANT TEST

ENVIRONMENTAL CERTIFICATIONS



arper

F +39 0422 791800

T +39 0422 7918

www.arper.com

Duna 02

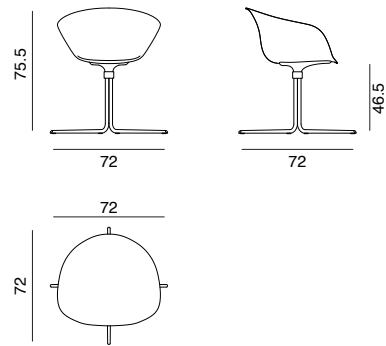
Design by Lievore Altherr Molina, 2014

Art. 4215

Chair with chromed steel swivel trestle base with polypropylene shell available in six colors, with front upholstery in leather, faux leather, fabric or customer's own material.



Dimensions *



* File CAD 2D - 3D available for download at www.arper.com

Frame Base



CRO

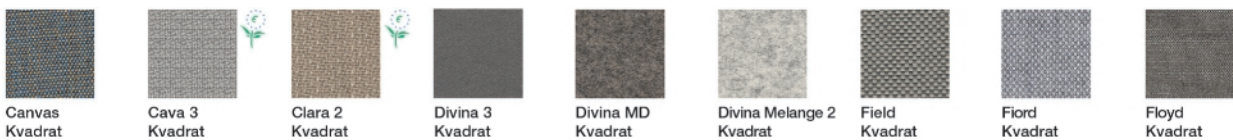
Shell

Polypropylene



PP0001 PP0001 PP0001 PP0001 PP0001 PP0001

Carded In



Graded In

kvadrat

camira



DESIGN
TEX



Gabriel



svensson

maharam


Serge Ferrari


Duna 02

Design by Lievore Altherr Molina, 2014

SHIPMENT DETAILS

Art.4215

1 pz = 2  - kg 16,74/ m³ 0,36

4 pz = 2  - kg 59,24/ m³ 0,92

TECHNICAL SPECIFICATIONS

Art.4215

COL requirement m² 1.44

H 140 cm. COM Meterage ml 1.05

RESISTANCE TEST

FIRE RETARDANT TEST

Classe 1M Cava 3 Field

ENVIRONMENTAL CERTIFICATIONS



arper

F +39 0422 791800

T +39 0422 7918

www.arper.com

Duna 02

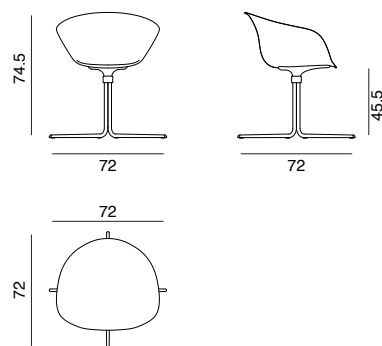
Design by Lievore Altherr Molina, 2014

Art. 4225

Chair with chromed steel swivel trestle base with polypropylene shell available in six colors, with cushion in leather, faux leather, fabric or customer's own material applied on the seat surface.



Dimensions *



* File CAD 2D - 3D available for download at www.arper.com

Frame Base



CRO

Shell

Polypropylene



PP0001

PP0001

PP0001

PP0001

PP0001

PP0001

Carded In



Canvas
Kvadrat



Cava 3
Kvadrat



Clara 2
Kvadrat



Divina 3
Kvadrat



Divina MD
Kvadrat



Divina Melange 2
Kvadrat



Field
Kvadrat



Fiord
Kvadrat



Floyd
Kvadrat



Hallingdal 65
Kvadrat



Pause 4
Kvadrat



Pro 3
Kvadrat



Remix 2
Kvadrat



Revive 1
Kvadrat



Rime
Kvadrat



Savanna
Kvadrat



Scuba
Kvadrat



Steelcut 2
Kvadrat



Steelcut Trio 3
Kvadrat



Tempo
Kvadrat



Tonus 4
Kvadrat



Umami
Kvadrat



Jet
Fidivi



Style
Fidivi



Valencia
Faux leather
Spradling



Soft leather



Elmosoft®
Leather

Graded In

kvadrat

camira



DESIGN
TEX



Gabriel



svensson

maharam


Serge Ferrari


Duna 02

Design by Lievore Altherr Molina, 2014

SHIPMENT DETAILS

Art.4225

1 pz = 2  - kg 16,74/ m³ 0,36

4 pz = 2  - kg 59,24/ m³ 0,92

TECHNICAL SPECIFICATIONS

Art.4225

COL requirement m² 0.56

H 140 cm. COM Meterage ml 0.55

RESISTANCE TEST

FIRE RETARDANT TEST

Classe 1M Cava 3 Field

ENVIRONMENTAL CERTIFICATIONS



arper

F +39 0422 791800

T +39 0422 7918

www.arper.com

Duna 02

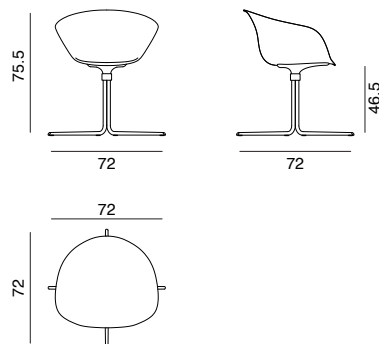
Design by Lievore Altherr Molina, 2014

Art. 4235

Chair with chromed steel swivel trestle base. Shell fully upholstered in leather, faux leather, fabric or customer's own material.



Dimensions *



* File CAD 2D - 3D available for download at www.arper.com

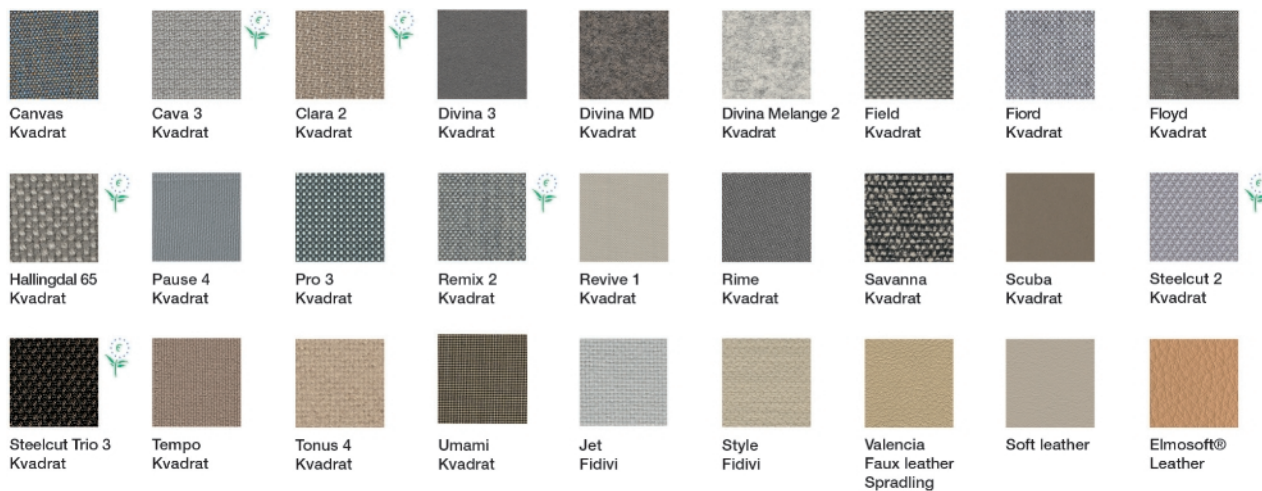
Frame Base



CRO

Shell

Carded In



Graded In

kvadrat

camira



DESIGN
TEX



Gabriel



svensson

maharam


Serge Ferrari


Duna 02

Design by Lievore Altherr Molina, 2014

SHIPMENT DETAILS

Art.4235

1 pz = 2  - kg 16,74/ m³ 0,36

4 pz = 2  - kg 59,24/ m³ 0,92

TECHNICAL SPECIFICATIONS

Art.4235

COL requirement m² 2.66

H 140 cm. COM Meterage ml 1.72

RESISTANCE TEST

FIRE RETARDANT TEST

ENVIRONMENTAL CERTIFICATIONS



arper

F +39 0422 791800

T +39 0422 7918

www.arper.com