

# Saari AC

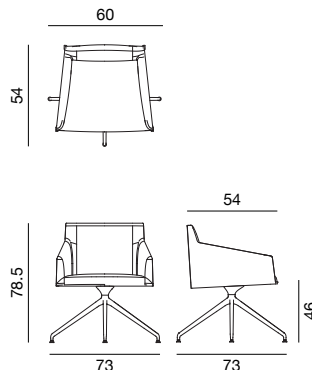
Design by Lievore Altherr Molina, 2009

## Art. 2705

Armchair with polished or powdercoated aluminium swivel trestle base. Plywood shell upholstered in leather, faux leather, fabric or customer's own fabric.



### Dimensions \*



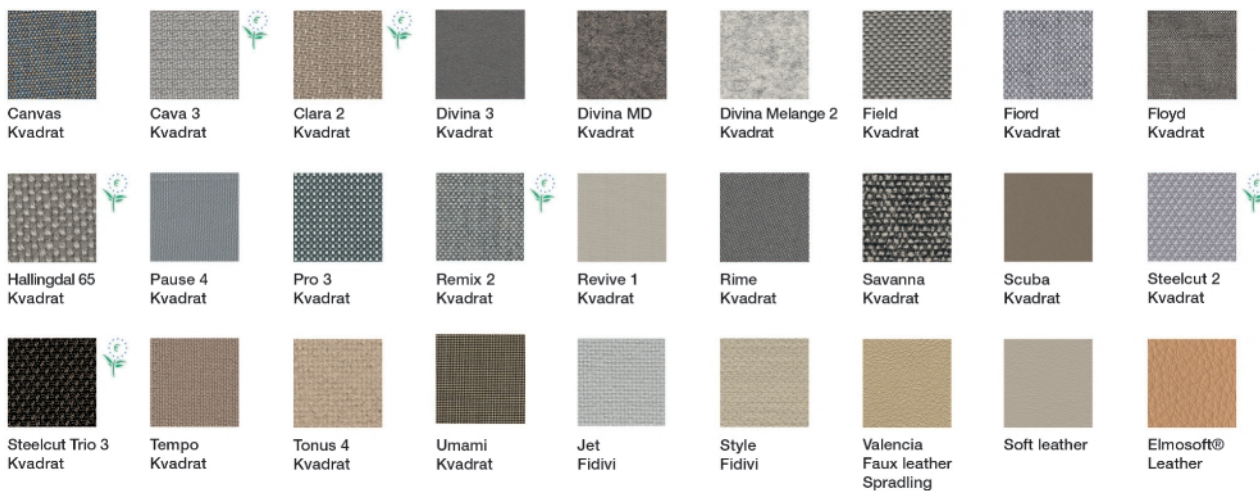
\* File CAD 2D - 3D available for download at [www.arper.com](http://www.arper.com)

### Frame Base



### Shell

#### Carded In



#### Graded In



arper

F +39 0422 791800

T +39 0422 7918

www.arper.com

# Saari AC

Design by Lievore Altherr Molina, 2009


## Accessories:



Set of glides Art. 2015

## SHIPMENT DETAILS

### Art.2705

1 pz = 1  - kg 17,5/ m<sup>2</sup> 0,21

## TECHNICAL SPECIFICATIONS

### Art.2705

COL requirement m<sup>2</sup> 3.25  
H 140 cm. COM Meterage ml 1.82

## RESISTANCE TEST

- EN 1728:2000 - EN 15373:2007 6.15
- EN 1728:2000 - EN 15373:2007 6.17
- EN 1728:2000 - EN 15373:2007 6.2.2
- EN 1728:2000 - EN 15373:2007 6.7
- EN 1335-3:2009 7.1
- EN 1728:2000 - EN 15373:2007 6.16
- EN 1728:2000 - EN 15373:2007 6.2.1
- EN 1728:2000 - EN 15373:2007 6.6
- EN 1728:2000 - EN 15373:2007 6.8
- EN 1728:2000 - EN 15373:2007 6. 5

## FIRE RETARDANT TEST

BS5852 i.s. 5 Cava 3 Field Tempo • Classe 1M Cava 3 Field Tempo  
• California TB117-2013 Cava 3 Clara Canvas Divina MD Divina  
Melange 2 Divina 3 Soft leather Elmosoft Field Hallingdal 65 Jet  
Jumper 3 Pro 3 Soft leather Pause 4 Remix 2 Savanna Steelcut 2  
Scuba Steelcut Trio 2 Steelcut Trio 3 Sunniva Sunniva 2 Tonus 4  
Tempo Faux leather Valencia • BS5852 Sch. 4 Part 1 Steelcut Trio 2  
Steelcut Trio 3 • BS5852 Sch. 5 Part 1 Cava 3 Clara Canvas Divina MD  
Divina Melange 2 Divina 3 Soft leather Elmosoft Hallingdal 65 Soft  
leather Remix 2 Savanna Steelcut 2 Steelcut Trio 2 Steelcut Trio 3  
Tonus 4 Faux leather Valencia • EN 1021 - 1 Cava 3 Field Tempo • EN  
1021 - 2 Cava 3 Field Tempo

## ENVIRONMENTAL CERTIFICATIONS



arper

F +39 0422 791800

T +39 0422 7918

www.arper.com