

Catifa 53

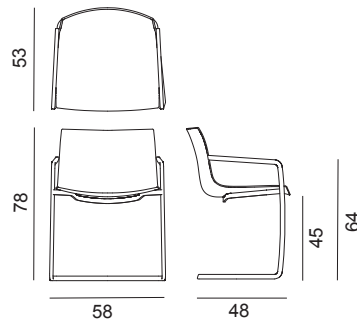
Design by Lievore Altherr Molina, 2001

Art. 2089

Chair with stackable chromed steel cantilever base and polypropylene matt single-colour shell or with shell upholstered in hard leather grade 1 (CT) or hard leather grade 2 (CU).



Dimensions *



* File CAD 2D - 3D available for download at www.arper.com

Frame Base



CRO

Shell

Polypropylene



PO
Polypropylene
one color

Hard leather Grade 1 and Grade 2



CT



CU

arper

F +39 0422 791800

T +39 0422 7918

www.arper.com

Catifa 53

Design by Lievore Altherr Molina, 2001

Accessories:



Cushion Art. 0231



Stacking protection pad Art. 3115

SHIPMENT DETAILS

Art.2089

1 pz = 2 - kg 19,3/ m² 0,28

4 pz = 2 - kg 73,4/ m² 0,79

RESISTANCE TEST

- EN 1728:2000 - EN 15373:2007 6.10
- EN 1728:2000 - EN 15373:2007 6.13
- EN 1728:2000 - EN 15373:2007 6.16
- EN 1728:2000 - EN 15373:2007 6.2.1
- EN 1728:2000 - EN 15373:2007 6.5
- EN 1728:2000 - EN 15373:2007 6.7
- EN 1728:2000 - EN 15373:2007 6.12
- EN 1728:2000 - EN 15373:2007 6.15
- EN 1728:2000 - EN 15373:2007 6.17
- EN 1728:2000 - EN 15373:2007 6.2.2
- EN 1728:2000 - EN 15373:2007 6.6
- EN 1728:2000 - EN 15373:2007 6.8

TECHNICAL SPECIFICATIONS

Art.2089

Plastic armrest in colour RAL 7016.

FIRE RETARDANT TEST

BS5852/90 Sez.5 cigarette match polypropylene • BS5852 Sch. 5 Part 1 CT CU

ENVIRONMENTAL CERTIFICATIONS



Stackability:

- Up to 10 pcs. (should the weight exceed 25 kilos a handling tool must be used).
- With trolley: up to 10 pcs.
- CT/CU versions: max. 5 pcs. With stacking pad.

arper

F +39 0422 791800

T +39 0422 7918

www.arper.com

Catifa 53

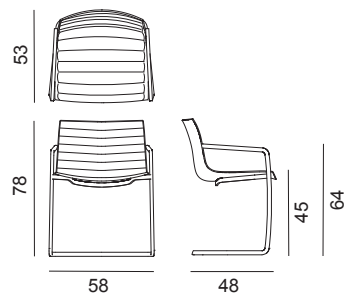
Design by Lievore Altherr Molina, 2001

Art. 2090

Chair with stackable chromed steel cantilever base and shell upholstered in leather, faux leather, fabric or customer's material.



Dimensions *



* File CAD 2D - 3D available for download at www.arper.com

Frame Base



CRO

Shell

Carded In



Graded In

kvadrat

camira



DESIGN
TEX



Gabriel



svensson

maharam

Serge Ferrari

Catifa 53

Design by Lievore Altherr Molina, 2001

Accessories:



Stacking protection pad Art. 3115

SHIPMENT DETAILS

Art.2090

1 pz = 2 - kg 19,3/ m² 0,28

4 pz = 2 - kg 73,4/ m² 0,79

TECHNICAL SPECIFICATIONS

Art.2090

COL requirement m² 1.78

H 140 cm. COM Meterage ml 1.21

Line detail stitching.

Plastic armrest in colour RAL 7016

RESISTANCE TEST

- EN 1728:2000 - EN 15373:2007 6.10
- EN 1728:2000 - EN 15373:2007 6.13
- EN 1728:2000 - EN 15373:2007 6.16
- EN 1728:2000 - EN 15373:2007 6.2.1
- EN 1728:2000 - EN 15373:2007 6.5
- EN 1728:2000 - EN 15373:2007 6.7

- EN 1728:2000 - EN 15373:2007 6.12
- EN 1728:2000 - EN 15373:2007 6.15
- EN 1728:2000 - EN 15373:2007 6.17
- EN 1728:2000 - EN 15373:2007 6.2.2
- EN 1728:2000 - EN 15373:2007 6.6
- EN 1728:2000 - EN 15373:2007 6.8

FIRE RETARDANT TEST

BS5852 i.s. 5 Cava 3 Soft leather Elmosoft Hallingdal 65 Pro 3 Tonus 4 • Classe 1IM Cava 3 Divina MD Divina Melange 2 Divina 3 Hallingdal 65 Pro 3 Soft leather Tonus 4 Faux leather Valencia • California TB117-2013 Cava 3 Clara Canvas Divina MD Divina Melange 2 Divina 3 Soft leather Elmosoft Field Hallingdal 65 Jet Jumper 3 Pro 3 Soft leather Pause 4 Remix 2 Savanna Steelcut 2 Scuba Steelcut Trio 2 Steelcut Trio 3 Sunniva Sunniva 2 Tonus 4 Tempo Faux leather Valencia • BS5852 Sch. 4 Part 1 Cava 3 Divina MD Divina Melange 2 Divina 3 Soft leather Elmosoft Hallingdal 65 Pro 3 Tonus 4 Faux leather Valencia • BS5852 Sch. 5 Part 1 Cava 3 Clara Canvas Divina MD Divina Melange 2 Divina 3 Soft leather Elmosoft Hallingdal 65 Soft leather Remix 2 Savanna Steelcut 2 Steelcut Trio 2 Steelcut Trio 3 Tonus 4 Faux leather Valencia • EN 1021 - 1 Divina MD Divina Melange 2 Divina 3 Soft leather Elmosoft Field Hallingdal 65 Pro 3 Soft leather • EN 1021 - 2 Divina MD Divina Melange 2 Divina 3 Soft leather Elmosoft Field Hallingdal 65 Pro 3 Soft leather

ENVIRONMENTAL CERTIFICATIONS



Stackability:

- With stacking protection pad: up to 8 pcs. (should the weight exceed 25 kilos a handling tool must be used).
- With stacking protection pad and trolley: up to 8 pcs.
- Soft leather - faux leather versions: max. 5 pcs. with stacking pad

arper

F +39 0422 791800

T +39 0422 7918

www.arper.com

Catifa 53

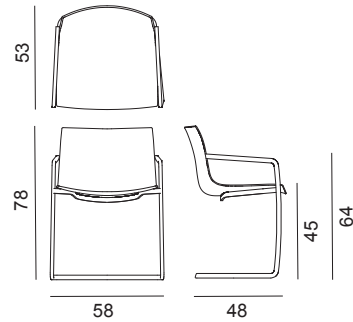
Design by Lievore Altherr Molina, 2001

Art. 2091

Chair with stackable chromed steel cantilever base and matt polypropylene shell with front upholstery in leather, faux leather, fabric or customer's own material.



Dimensions *



* File CAD 2D - 3D available for download at www.arper.com

Frame Base



CRO

Shell

Polypropylene



PO
Polypropylene
one color

Carded In



Graded In

kvadrat

camira



DESIGN
TEX



Gabriel



svensson

maharam

Serge Ferrari

Catifa 53

Design by Lievore Altherr Molina, 2001

Accessories:



Stacking protection pad Art. 3115

SHIPMENT DETAILS

Art.2091

1 pz = 2 - kg 19,3/ m² 0,28

4 pz = 2 - kg 73,4/ m² 0,79

RESISTANCE TEST

- EN 1728:2000 - EN 15373:2007 6.10
- EN 1728:2000 - EN 15373:2007 6.13
- EN 1728:2000 - EN 15373:2007 6.16
- EN 1728:2000 - EN 15373:2007 6.2.1
- EN 1728:2000 - EN 15373:2007 6.5
- EN 1728:2000 - EN 15373:2007 6.7

- EN 1728:2000 - EN 15373:2007 6.12
- EN 1728:2000 - EN 15373:2007 6.15
- EN 1728:2000 - EN 15373:2007 6.17
- EN 1728:2000 - EN 15373:2007 6.2.2
- EN 1728:2000 - EN 15373:2007 6.6
- EN 1728:2000 - EN 15373:2007 6.8

TECHNICAL SPECIFICATIONS

Art.2091

COL requirement m² 0,84

H 140 cm. COM Meterage ml 0,72

Plastic armrest in colour RAL 7016

FIRE RETARDANT TEST

BS5852 i.s. 5 Cava 3 Soft leather Elmosoft Hallingdal 65 Pro 3 Tonus 4 • Classe 11M Cava 3 Divina MD Divina Melange 2 Divina 3 Hallingdal 65 Pro 3 Soft leather Tonus 4 Faux leather Valencia • California TB117-2013 Cava 3 Clara Canvas Divina MD Divina Melange 2 Divina 3 Soft leather Elmosoft Field Hallingdal 65 Jet Jumper 3 Pro 3 Soft leather Pause 4 Remix 2 Savanna Steelcut 2 Scuba Steelcut Trio 2 Steelcut Trio 3 Sunniva Sunniva 2 Tonus 4 Tempo Faux leather Valencia • BS5852 Sch. 4 Part 1 Cava 3 Divina MD Divina Melange 2 Divina 3 Soft leather Elmosoft Hallingdal 65 Pro 3 Tonus 4 Faux leather Valencia • BS5852 Sch. 5 Part 1 Cava 3 Clara Canvas Divina MD Divina Melange 2 Divina 3 Soft leather Elmosoft Hallingdal 65 Soft leather Remix 2 Savanna Steelcut 2 Steelcut Trio 2 Steelcut Trio 3 Tonus 4 Faux leather Valencia • EN 1021 - 1 Divina MD Divina Melange 2 Divina 3 Soft leather Elmosoft Field Hallingdal 65 Pro 3 Soft leather • EN 1021 - 2 Divina MD Divina Melange 2 Divina 3 Soft leather Elmosoft Field Hallingdal 65 Pro 3 Soft leather

ENVIRONMENTAL CERTIFICATIONS



Stackability:

- With stacking protection pad: up to 8 pcs. (should the weight exceed 25 kilos a handling tool must be used).
- With stacking protection pad and trolley: up to 8 pcs.
- Soft leather - faux leather versions: max. 5 pcs. with stacking pad

arper

F +39 0422 791800

T +39 0422 7918

www.arper.com

Catifa 53

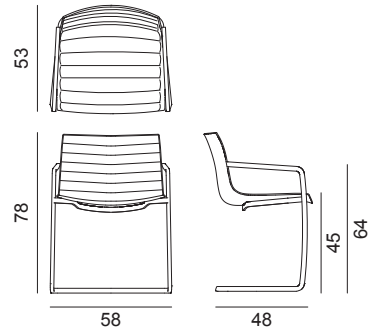
Design by Lievore Altherr Molina, 2013

Art. 3122

Chair with stackable chromed steel cantilever base and white polypropylene shell upholstered with a removable non-washable cover in leather, faux leather, fabric or customer's own material. The chair is provided already fitted with the cover.



Dimensions *



* File CAD 2D - 3D available for download at www.arper.com

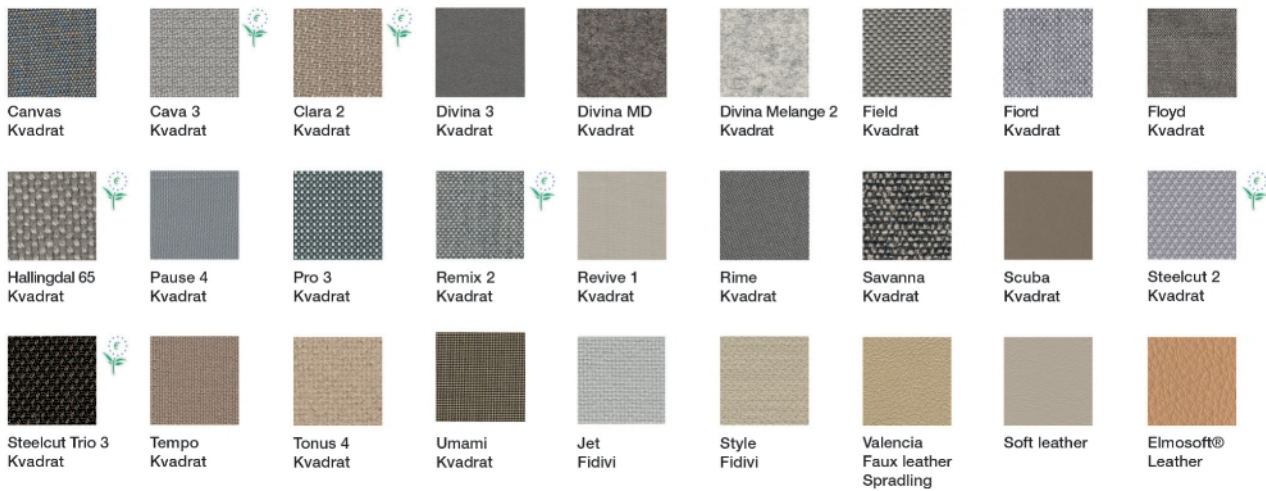
Frame Base



CRO

Shell

Carded In



Graded In

kvadrat

camira



DESIGN
TEX



Gabriel



svensson

maharam

Serge Ferrari

Catifa 53

Design by Lievore Altherr Molina, 2013

Accessories:



Stacking protection pad Art. 3115

SHIPMENT DETAILS

Art.3122

1 pz = 2 - kg 19,3/ m² 0,28

4 pz = 2 - kg 73,4/ m² 0,79

TECHNICAL SPECIFICATIONS

Art.3122

COL requirement m² 2,09

H 140 cm. COM Meterage ml 1,23

The cover stitching comes in the same color as the upholstery. Stitching on cover 1 and 3 comes in white or black, to customer's choice.

Plastic armrest in colour RAL 7016

RESISTANCE TEST

- EN 1728:2000 - EN 15373:2007 6.10
- EN 1728:2000 - EN 15373:2007 6.13
- EN 1728:2000 - EN 15373:2007 6.16
- EN 1728:2000 - EN 15373:2007 6.2.1
- EN 1728:2000 - EN 15373:2007 6.5
- EN 1728:2000 - EN 15373:2007 6.7

- EN 1728:2000 - EN 15373:2007 6.12
- EN 1728:2000 - EN 15373:2007 6.15
- EN 1728:2000 - EN 15373:2007 6.17
- EN 1728:2000 - EN 15373:2007 6.2.2
- EN 1728:2000 - EN 15373:2007 6.6
- EN 1728:2000 - EN 15373:2007 6.8

FIRE RETARDANT TEST

BS5852 i.s. 5 Cava 3 Soft leather Elmosoft Hallingdal 65 Pro 3 Tonus 4 • Classe 1IM Cava 3 Divina MD Divina Melange 2 Divina 3 Hallingdal 65 Pro 3 Soft leather Tonus 4 Faux leather Valencia • California TB117-2013 Cava 3 Clara Canvas Divina MD Divina Melange 2 Divina 3 Soft leather Elmosoft Field Hallingdal 65 Jet Jumper 3 Pro 3 Soft leather Pause 4 Remix 2 Savanna Steelcut 2 Scuba Steelcut Trio 2 Steelcut Trio 3 Sunniva Sunniva 2 Tonus 4 Tempo Faux leather Valencia • BS5852 Sch. 4 Part 1 Cava 3 Divina MD Divina Melange 2 Divina 3 Soft leather Elmosoft Hallingdal 65 Pro 3 Tonus 4 Faux leather Valencia • BS5852 Sch. 5 Part 1 Cava 3 Clara Canvas Divina MD Divina Melange 2 Divina 3 Soft leather Elmosoft Hallingdal 65 Soft leather Remix 2 Savanna Steelcut 2 Steelcut Trio 2 Steelcut Trio 3 Tonus 4 Faux leather Valencia • EN 1021 - 1 Divina MD Divina Melange 2 Divina 3 Soft leather Elmosoft Field Hallingdal 65 Pro 3 Soft leather • EN 1021 - 2 Divina MD Divina Melange 2 Divina 3 Soft leather Elmosoft Field Hallingdal 65 Pro 3 Soft leather

ENVIRONMENTAL CERTIFICATIONS



Stackability:

- With stacking protection pad: up to 8 pcs. (should the weight exceed 25 kilos a handling tool must be used).
- With stacking protection pad and trolley: up to 8 pcs.
- Soft leather - faux leather versions: max. 5 pcs. with stacking pad

arper

F +39 0422 791800

T +39 0422 7918

www.arper.com